



LABMICRO

8553545575 / 8050259428 

contact@labmicro.in 

www.labmicro.in 



Zoom Stereo Microscope, 0.67~4.5x

- 0.67x-4.5x Zoom Magnification Zoom Ratio 1:6.7
- Zoom Knob with Click Stop Switch & Magnification Lock
- 45° Inclined Binocular & Trinocular Head with Working Distance 110mm
- Pole & Track Stand with Coarse Focusing Range 50mm
- Transmit & Reflect LED Light Source Available

 **Shop No.1, Basement floor, Best Apartments, Dr. Arunachalam Road, 5th Stage BEML Layout, Rajarajeshwari Nagar, Bengaluru - 560 098**



SLV-46-SL1

Binocular Head with SL1 Track Stand Up/Bottom Light Source



SLV-46-SL3

Trinocular Head with SL3 Pole Stand, Up/Bottom Light Source



SLV-46-SL1

Binocular Head with SL1 Track stand Up/Bottom Light Source



SLV-46-S4T

Trinocular Head with S4T Pole stand, without light source

Focus holder



Focus Holder



Focus Holder with Upper Light Holder

Base



S4 small plain base with pillar stand



S5 big Plain base with pillar stand



S6 Big Plain base with arm stand and fixed focus holder



SZSTL1 Single pillar boom stand



SZST2 Big Plain base with pillar stand



SL1 Arm stand base with fixed focus holder and LED Illumination



SL3 Pillar stand base with LED Illumination



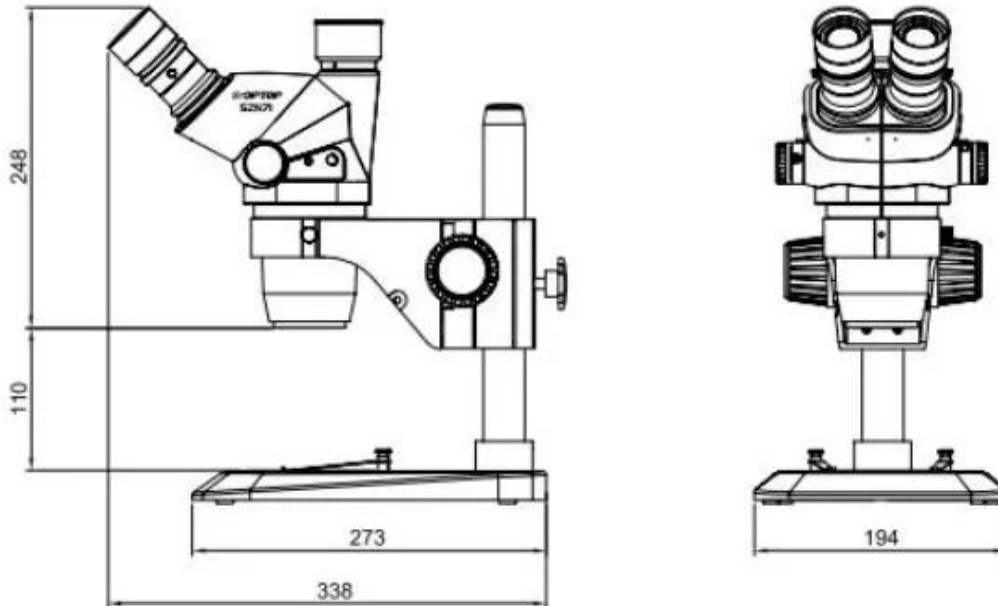
SZSTL2 Double Pillar Boom Stand

TECHNICAL SPECIFICATION

SLV-46 Series Zoom Stereo Microscope

Head	Binocular Head, 45° Inclined, Inter-pupillary Distance 52-76mm	S4	S5	SL1	-SL3	SST2	SSTL 1	SSTL 2
	Trinocular Head, 45° Inclined, Inter-pupillary Distance 52-76mm	S4T	S5T	SL1T	SL3T	SST2T	SSTL 1T	SSTL 2T
Eye- piece	High-Eyepoint Wide Field Plan Eyepiece PL10x/22mm, Dioptre Adjustable	●●	●●	●●	●●	●●	●●	●●
	High-Eyepoint Wide Field Plan Eyepiece PL15x/16mm, Dioptre Adjustable	○	○	○	○	○	○	○
	High-Eyepoint Wide Field Plan Eyepiece PL20x/12mm, Dioptre Adjustable	○	○	○	○	○	○	○
Lens	0.67-4.5x, W.D.=110mm, With Click Stop & Magnification Lock On Zoom Knob	●	●	●	●	●	●	●
Auxiliary Objective	0.3X/WD287mm	○	○	○	○	○	○	○
	0.4X/WD217mm	○	○	○	○	○	○	○
	0.5X/WD177mm	○	○	○	○	○	○	○
	0.75X/WD120mm	○	○	○	○	○	○	○
	1.5X/WD47mm	○	○	○	○	○	○	○
	2X/WD26mm	○	○	○	○	○	○	○
Focus	Bracket ST70A1 With Coarse Focusing Knob, Focus Range 50mm	●	●	●	●	●	●	●
Base	B4 Pillar Stand, No Light Source	●						
	B5 Pillar Large Black Flat Stand, No Light Source		●					
	BL1 Track Stand, With LED Light, Reflect 15 LEDs,			●				

	Transmit 75 LEDs							
	BL3 Pillar Stand, With LED Light, Reflect 15 LEDs, Transmit 75 LEDs					●		
	ST2 Pillar Large White Flat Stand, No Light Source						●	
	STL1 Single Arm Boom Pillar Stand, No Light Source							●
	STL2 Double Arm Boom Pillar Stand, No Light Source							●
C- Moun t	0.35X C-mount	○	○	○	○	○	○	○
	0.5X C-mount	○	○	○	○	○	○	○
	0.65X C-mount	○	○	○	○	○	○	○
	1.0X C-mount	○	○	○	○	○	○	○
Packi ng	Inner Foam + Strong Carton Box	●	●	●	●	●	●	●



SLV-46 Zoom stereo Microscope + S4